

THIS SHEET INCLUDES FITTING INSTRUCTIONS FOR THE FOLLOWING PARTS:

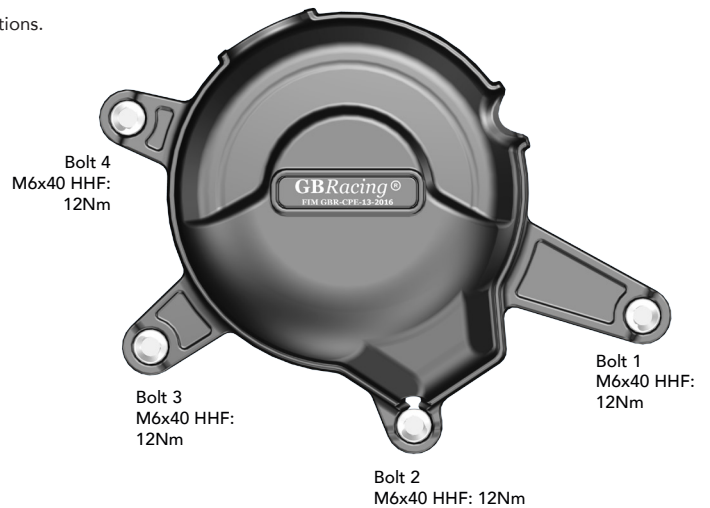
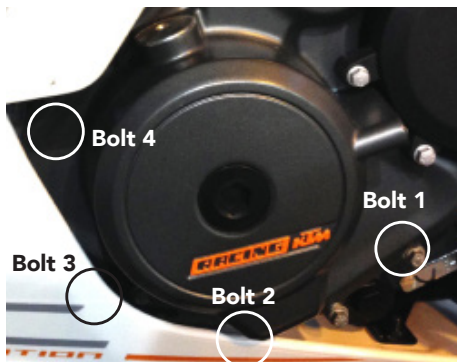
Secondary Alternator Cover Part No. EC-RC390-2014-1-GBR /

Secondary Clutch Cover Part No. EC-RC390-2014-2-GBR /

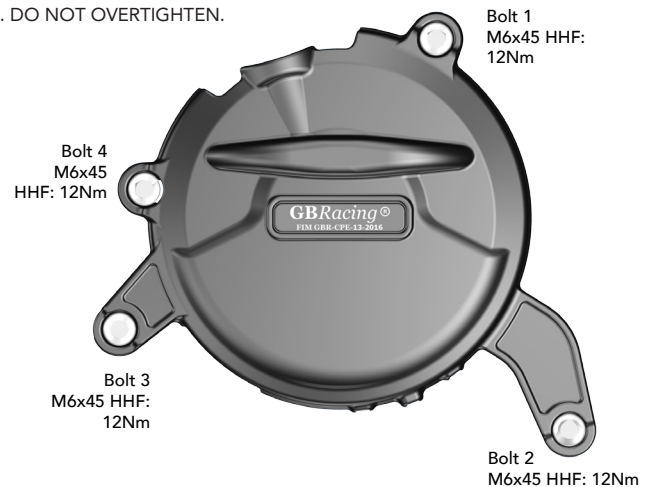
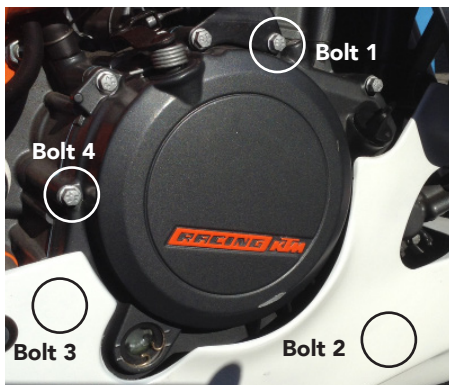
Paddock Stand Bobbin Set Part No. BA12-10-GBR-SET

**SECONDARY ALTERNATOR COVER PART NO. EC-RC390-2014-1-GBR**

- 1 Remove Fairing Bellypan.
- 2 Remove 4 existing bolts from the stock Alternator cover, shown as position Bolt 1, 2, 3 & 4.
- 3 Place the Secondary Alternator Cover over the stock cover.
- 4 Assemble 4 replacement bolts loosely in the correct position as shown.
- 5 Tighten bolts to a Torque of 12Nm as per Manufacturer's recommendations.
DO NOT OVERTIGHTEN.
- 6 Replace Fairing Bellypan.

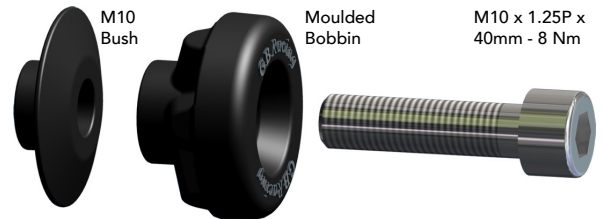
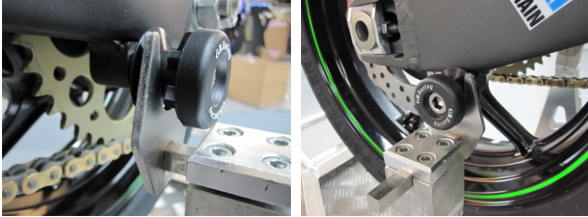
**SECONDARY CLUTCH COVER PART NO. EC-RC390-2014-2-GBR**

- 1 Remove Fairing Bellypan.
- 2 Remove 4 existing bolts from the stock Clutch cover, shown as position Bolt 1, 2, 3 & 4.
- 3 Place the Secondary Clutch Cover over the stock cover.
- 4 Assemble 4 replacement bolts loosely in the correct position as shown.
- 5 Tighten bolts to a Torque of 12Nm as per Manufacturer's recommendations. DO NOT OVERTIGHTEN.
- 6 Replace Fairing Bellypan.



**PADDOCK STAND / BOBBIN SET****PART NO. BA12-10-GBR-SET**

- 1 Assemble the M10 Stainless Steel bolt through the moulded bobbin and the Black Anodised Bush.
- 2 Tighten bolts to the swing arm boss, 8 N/m.
DO NOT OVERTIGHTEN.



www.GBRacing.eu

Engine Cover Set: EC-RC390-2014-SET-GBR

EC-RC390-2014-1-GBR, EC-RC390-2014-2-GBR