

THIS SHEET INCLUDES FITTING INSTRUCTIONS FOR THE FOLLOWING PARTS:

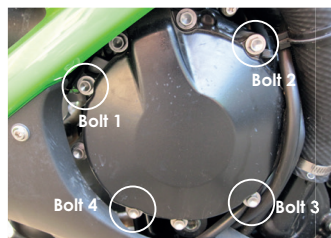
Secondary Alternator Cover Part No. EC-ZX6-2009-1-GBR / Secondary Clutch Cover Part No. EC-ZX6-2009-2-GBR /
Secondary Pulse Cover Part No. EC-ZX6-2007-3-GBR /
Bullet Frame Race Slider Set RACE - Part No. FS-ZX6-2009-R
Bobbin Set Part No. BA12-8-GBR-SET / Lower Chain Guard Part No. CGA09-GBR



SECONDARY ALTERNATOR COVER
PART NO. EC-ZX6-2009-1-GBR

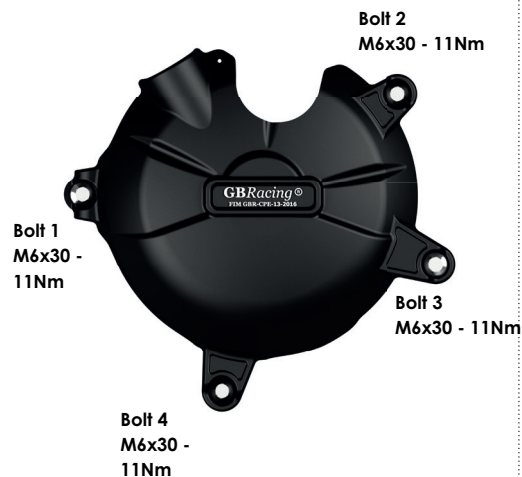
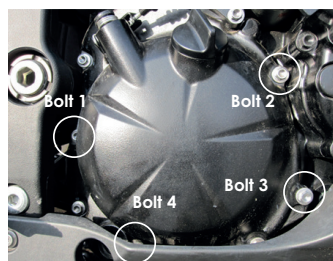
- 1 Remove lower fairing.
- 2 Remove 4 existing bolts from the stock Alternator cover, shown as position Bolt 1, 2, 3 & 4. **Please note: 2024 model:** You will need to remove the small metal cover that has been added to the OE casing for this model - see Fig. 1
- 3 Place the secondary alternator cover over the stock cover.
- 4 Assemble 4 replacement bolts loosely in the correct position as shown.
- 5 Tighten bolts to a torque of 11Nm as per manufacturer's recommendations. **DO NOT OVERTIGHTEN.**
- 6 Re-Fit lower Fairing.

Fig. 1



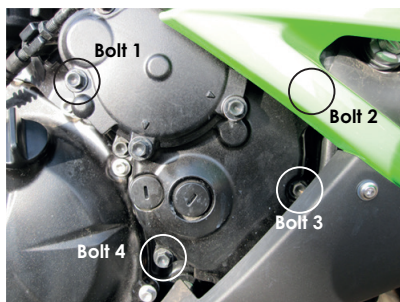
SECONDARY CLUTCH COVER
PART NO. EC-ZX6-2009-2-GBR

- 1 Remove lower fairing.
- 2 Remove 4 existing bolts from the stock clutch cover, shown as position Bolt 1, 2, 3 & 4.
- 3 Place the Secondary Clutch Cover over the stock cover.
- 4 Assemble 4 replacement M6x30 bolts, loosely in the correct position as shown.
- 5 Tighten bolts to a Torque of 11Nm as per manufacturer's recommendations. **DO NOT OVERTIGHTEN.**
- 6 Re-Fit lower Fairing.



SECONDARY PULSE COVER
PART NO. EC-ZX6-2007-3-GBR

- 1 Remove the upper and lower fairings.
- 2 Remove 4 existing bolts from the stock pulse cover, shown as position Bolt 1, 2, 3 & 4.
- 3 Place the Secondary Pulse Cover over the stock cover.
- 4 Assemble 2 replacement M6x35, 1 replacement M6x25 & 1 replacement M6x45 bolts, loosely in the correct position as shown.
- 5 Tighten bolts to a torque of 11Nm as per manufacturer's recommendations. **DO NOT OVERTIGHTEN.**
- 6 Re-Fit the Fairings.



BULLET FRAME SLIDER - LEFT HAND SIDE - RACE
PART NO. FS-ZX6-2009-LHS-R

- 1 Remove upper engine mounting bolt, located through the fairing opening.
- 2 Assemble bolt through the aluminium bush into correct position.
- 3 Tighten to 40NM torque.
- 4 Slide bullet moulding onto aluminium bush.
- 5 Screw M6 bolt into front of bullet moulding hand tight.



BULLET FRAME SLIDER - RIGHT HAND SIDE - RACE
PART NO. FS-ZX6-2009-RHS-R

- 1 Remove upper engine mounting bolt, located through the fairing opening.
- 2 Assemble bolt through the aluminium bush into correct position.
- 3 Tighten to 40NM torque.
- 4 Slide bullet moulding onto aluminium bush.
- 5 Screw M6 bolt into front of bullet moulding hand tight.



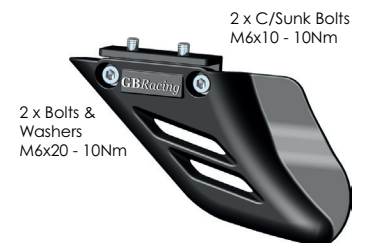
PADDOCK STAND / BOBBIN SET - PART NO. BA12-8-GBR-SET

- 1 Assemble M8 x 40mm Bolt through the moulded bobbin.
- 2 Tighten bolts to swing arm boss, 8 Nm.
DO NOT OVERTIGHTEN



LOWER CHAIN GUARD
PART NO. CGA09-GBR

- 1 Assemble 2 off M6 x 20mm bolts and washers through the moulded lower chain guard into the Black Anodised aluminium mounting block CGA09-2.
- 2 Position the assembly underneath the swing arm, closing the gap to the rear sprocket.
Note : There should be a 5mm minimum gap from the bike chain to the lower chain guard.
- 3 Mark the position of the Black Anodised block, relative to the swing arm.
- 4 Disassemble the assembly, leaving the block to be replaced into the correct position.
Mark the C/Sunk fixing hole positions on the underside of the swing arm.
- 5 Drill & Tap the marked holes , M6 - (Drill 5mm Dia. for tapping)
- 6 Re-assemble the lower chain guard to the fixed block.



www.GBRacing.eu

Protection Bundle: CP-ZX6-2013-CS-GBR

EC-ZX6-2009-1-GBR, EC-ZX6-2009-2-GBR, EC-ZX6-2007-3-GBR, CGA09-GBR, BA12-8-GBR-SET

Engine Cover Set: EC-ZX6-2009-SET-GBR

EC-ZX6-2009-1-GBR, EC-ZX6-2009-2-GBR, EC-ZX6-2007-3-GBR