

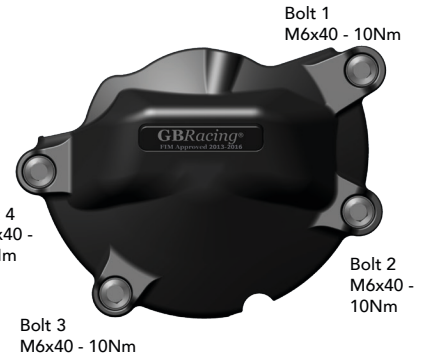
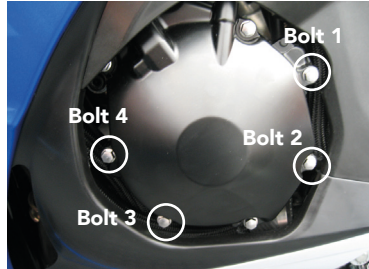
THIS SHEET INCLUDES FITTING INSTRUCTIONS FOR THE FOLLOWING PARTS:

Secondary Alternator Cover Part No. EC-GSXR1000-K9-1-K-GBR / Secondary Clutch Cover Part No. EC-GSXR1000-K9-2-GBR / Secondary Pulse / Timing Cover Part No. EC-GSXR1000-K9-3-GBR
Bullet Frame Race Slider Set - RACE - Part No. FS-GSXR1000-K9-R / Bullet Frame Race Slider Set - STREET - Part No. FS-GSXR1000-K9-S
Paddock Stand / Bobbin Set Part No. BA12-8-GBR-SET / Lower Chain Guard Part No. CGA10-GBR



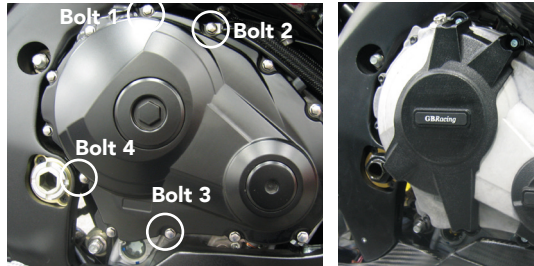
SECONDARY ALTERNATOR COVER PART NO. EC-GSXR1000-K9-1-K-GBR

- 1 Remove 4 existing bolts from the Stock Alternator cover, shown as position Bolt 1, 2, 3 & 4.
- 2 Place the Secondary Alternator Cover over the Stock cover.
- 3 Assemble 4 replacement bolts loosely in the correct position as shown.
- 4 Tighten bolts to a Torque of 10Nm as per Manufacturer's recommendations.
DO NOT OVERTIGHTEN.



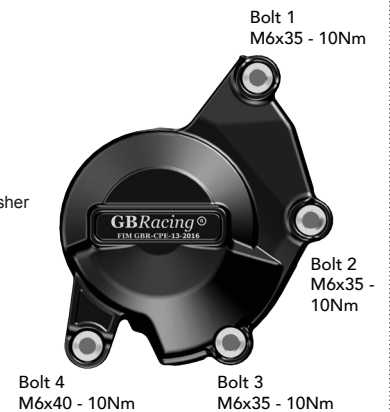
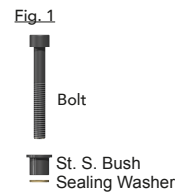
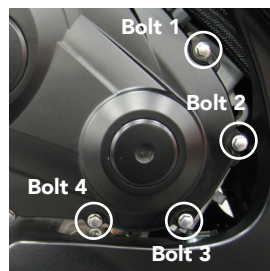
SECONDARY CLUTCH COVER PART NO. EC-GSXR1000-K9-2-GBR

- 1 Remove 4 existing bolts from the stock Clutch cover, shown as position Bolt 1, 2, 3 & 4.
- 2 Place the Secondary Clutch Cover over the stock cover.
- 3 Assemble 4 replacement bolts loosely in the correct position as shown.
- 4 Tighten bolts to a Torque of 10Nm as per Manufacturer's recommendations.
DO NOT OVERTIGHTEN.



SECONDARY PULSE COVER PART NO. EC-GSXR1000-K9-3-GBR

- 1 Remove 4 existing bolts from the stock Pulse cover, shown as position Bolt 1, 2, 3 & 4. *Note : Bolt 1 has a sealing washer that needs retaining for re-use later.*
- 2 Assemble one of the M6 x 35 replacement bolts through the Secondary Pulse Cover at position 1 (Fig.1), then re-assemble the stock sealing washer as shown above.
- 3 Place the Secondary Pulse Cover over the stock cover.
- 4 Assemble the remaining 3 replacement bolts loosely in the correct position as shown ensuring that the M6x40 bolt is used at Bolt Position 4.
- 5 Tighten all bolts to a Torque of 10Nm as per Manufacturer's recommendations.
DO NOT OVERTIGHTEN.



LOWER CHAIN GUARD PART NO. CGA10-GBR

- 1 Assemble 2 bolts and washers through the lower chain guard into the Black Anodised aluminium mounting block CGA10-2.
- 2 Position the assembly underneath the swing arm, closing the gap to the rear sprocket.
Note : There should be a 5mm minimum gap from the bike chain to the lower chain guard.
- 3 Mark off the chosen hole positions.
- 4 Drill & Tap the marked holes , M6 - (Drill 5mm Dia. for tapping)
- 5 Disassemble the Black Anodised block from the assembly, and mount the block to the underside of the swing arm using the remaining 2 bolts and washers.
- 6 Re-assemble the lower chain guard to the fixed bracket.



SETS & BUNDLES

Protection Bundle: CP-GSXR1000-K9-CS-GBR

EC-GSXR1000-K9-1-K-GBR, EC-GSXR1000-K9-2-GBR, EC-GSXR1000-K9-3-GBR, BA12-8-GBR-SET, CGA10-GBR, FS-GSXR1000-K9-R

Engine Cover Set: EC-GSXR1000-K9-SET-GBR

EC-GSXR1000-K9-1-K-GBR, EC-GSXR1000-K9-2-GBR, EC-GSXR1000-K9-3-GBR

BULLET FRAME SLIDER - RIGHT HAND SIDE - RACE
PART NO. FS-GSXR1000-K9-RHS-R

- 1 Remove the fairing.
- 2 Unscrew the engine mounting sufficiently so that the bolt will mark the inside of the fairing.
- 3 Mark the head of the unscrewed bolt with a marker pen and assemble the fairing back, pushing in the area of the unscrewed bolt head.
- 4 Remove the fairing and drill a 25mm Diameter through hole where the head of the engine mount bolt has marked.
- 5 Now remove the engine bolt fully.
- 6 Replace the fairing.
- 7 Assemble replacement engine mount bolt through the aluminium bush into correct position.
- 8 Tighten to 25NM torque.
- 9 Slide bullet moulding onto aluminium bush.
- 10 Screw M6 bolt into front of bullet moulding hand tight.



BULLET FRAME SLIDER - LEFT HAND SIDE - RACE
PART NO. FS-GSXR1000-K9-LHS-R

- 1 Remove the fairing.
- 2 Unscrew the engine mounting sufficiently so that the bolt will mark the inside of the fairing.
- 3 Mark the head of the unscrewed bolt with a marker pen and assemble the fairing back, pushing in the area of the unscrewed bolt head.
- 4 Remove the fairing and drill a 25mm Diameter through hole where the head of the engine mount bolt has marked.
- 5 Now remove the engine bolt fully.
- 6 Replace the fairing.
- 7 Assemble replacement engine mount bolt through the aluminium bush into correct position.
- 8 Tighten to 25NM torque.
- 9 Slide bullet moulding onto aluminium bush.
- 10 Screw M6 bolt into front of bullet moulding hand tight.



BULLET FRAME SLIDER - RIGHT HAND SIDE - STREET
PART NO. FS-GSXR1000-K9-RHS-S

- 1 Remove the fairing.
- 2 Unscrew the engine mounting sufficiently so that the bolt will mark the inside of the fairing.
- 3 Mark the head of the unscrewed bolt with a marker pen and assemble the fairing back, pushing in the area of the unscrewed bolt head.
- 4 Remove the fairing and drill a 25mm Diameter through hole where the head of the engine mount bolt has marked.
- 5 Now remove the engine bolt fully.
- 6 Replace the fairing.
- 7 Assemble replacement engine mount bolt through the aluminium bush into correct position.
- 8 Tighten to 25NM torque.
- 9 Slide bullet moulding onto aluminium bush.
- 10 Screw M6 bolt into front of bullet moulding hand tight.



BULLET FRAME SLIDER - LEFT HAND SIDE - STREET
PART NO. FS-GSXR1000-K9-LHS-S

- 1 Remove the fairing.
- 2 Unscrew the engine mounting sufficiently so that the bolt will mark the inside of the fairing.
- 3 Mark the head of the unscrewed bolt with a marker pen and assemble the fairing back, pushing in the area of the unscrewed bolt head.
- 4 Remove the fairing and drill a 25mm Diameter through hole where the head of the engine mount bolt has marked.
- 5 Now remove the engine bolt fully.
- 6 Replace the fairing.
- 7 Assemble replacement engine mount bolt through the aluminium bush into correct position.
- 8 Tighten to 25NM torque.
- 9 Slide bullet moulding onto aluminium bush.
- 10 Screw M6 bolt into front of bullet moulding hand tight.



PADDOCK STAND / BOBBIN SET
PART NO. BA12-8-GBR-SET

- 1 Assemble M8 x 40mm Bolt through the moulded bobbin.
- 2 Tighten bolts to swing arm boss, 8 Nm.
DO NOT OVERTIGHTEN



1 x Moulded Paddock Stand / Bobbin