



Panigale & Streetfighter V2 & V2 S 2025-2026
 Multistrada V2 & V2 S 2025-2026
 Monster and Monster + 2026
 Hypermotard V2, V2 SP 2026
 Desert X 2026

FITTING INSTRUCTIONS

TO BE FITTED BY A QUALIFIED TECHNICIAN



THIS SHEET INCLUDES FITTING INSTRUCTIONS FOR THE FOLLOWING PARTS

Secondary Alternator Cover Part No. EC-V2-2025-1-GBR / Secondary Clutch Cover Part No. EC-V2-2025-2-GBR

SECONDARY ALTERNATOR COVER PART NO. EC-V2-2025-1-GBR

- 1 Remove left hand side fairing panel if fitted.
- 2 Remove 4 existing bolts from the alternator cover, shown as position bolt 1, 2, 3 & 4.
Please note: on Hypermotard and Monster remove breather pipe bracket.
- 3 Place the secondary alternator cover over the stock cover, ensuring foot 1 tucks under the adjacent cable, please make sure the cable does not get stuck under the secondary cover.
- 4 Assemble 4 replacement bolts loosely in the correct position as shown.
See note above: then secure the breather pipes with cable tie (not supplied) around bolt 4.
See Fig.1 and Fig.2.
- 5 Tighten bolts to a torque of 10Nm as per manufacturer's recommendations.
DO NOT OVERTIGHTEN.
- 6 Replace left hand side fairing panel if fitted.

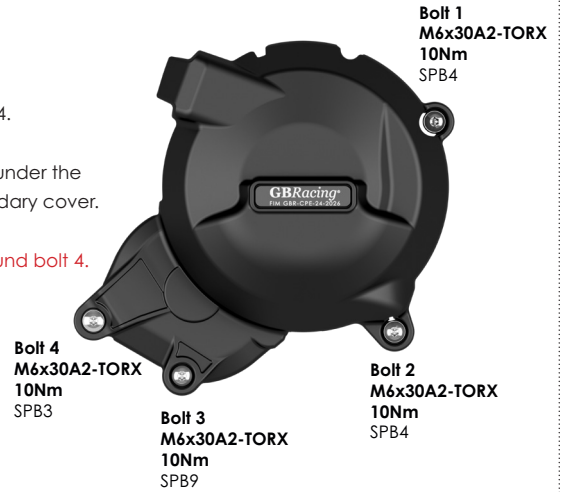
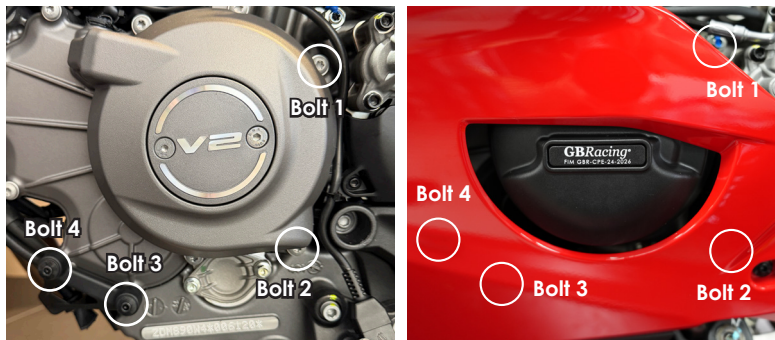


Fig. 1

Fig. 2



SECONDARY CLUTCH COVER PART NO. EC-V2-2025-2-GBR

- 1 Remove right hand side fairing panel if fitted.
- 2 Remove OE dust cover if fitted.
Please note: ONLY on the Multistrada please place O rings (supplied) under the head of bolts shown in Fig.1 to re-secure reservoir bracket once dust cover is removed.
DO NOT OVERTIGHTEN.
- 3 Remove 4 existing bolts from the clutch cover, shown as position bolt 1, 2, 3 & 4.
- 4 Place the secondary clutch cover over the stock cover.
- 5 Assemble 4 replacement bolts loosely in the correct position as shown.
- 6 Tighten bolts to a torque of 10Nm as per manufacturer's recommendations.
DO NOT OVERTIGHTEN.
- 7 Replace right hand side fairing panel if fitted.

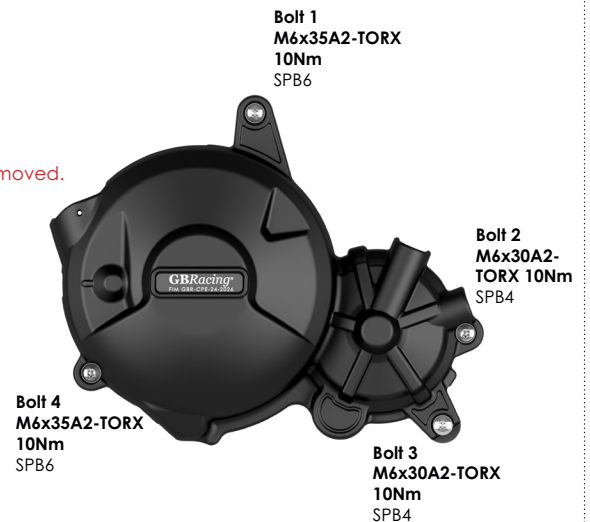
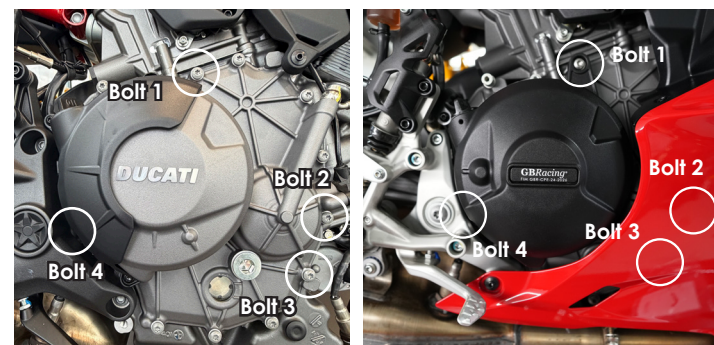


Fig. 1



Engine Cover Set: EC-V2-2025-SET-GBR

EC-V2-2025-1-GBR, EC-V2-2025-2-GBR

www.GBRacing.eu

DO NOT use these products unless you agree to our Terms & Conditions, as shown on our paperwork and website. If you do not agree, please return the product(s) to your dealer for a refund.