

THIS SHEET INCLUDES FITTING INSTRUCTIONS FOR THE FOLLOWING PARTS:

Secondary Alternator Cover Part No. EC-RS660-2021-1-GBR / Secondary Clutch Cover Part No. EC-RS660-2021-2-GBR /

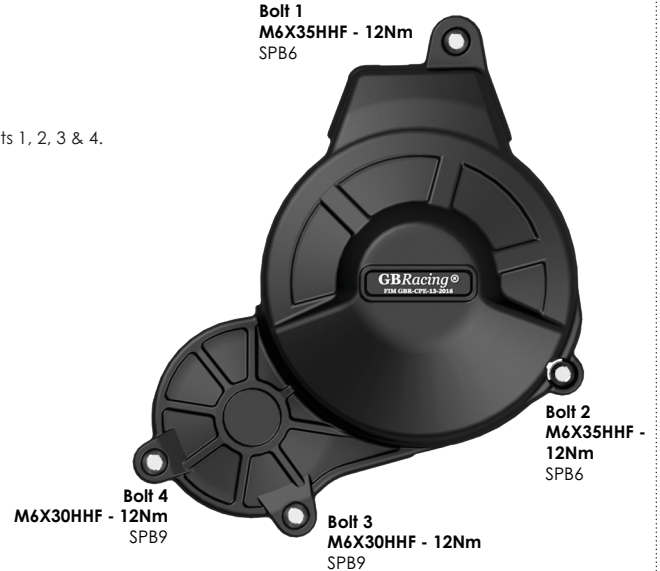
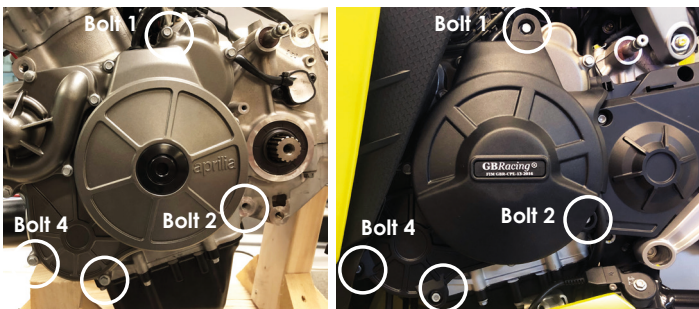
Secondary Water Pump Cover Part No. EC-RS660-2021-5-GBR / Paddock Stand Bobbins Part No. BA12-6-GBR-SET /

Lower Chain Guard Part No: CGA09-GBR / Brake Lever Guard Part No. BLG-M18-S10-A160-GBR (FITS TUONO 660 2021. DOES NOT FIT RS 660 2021)



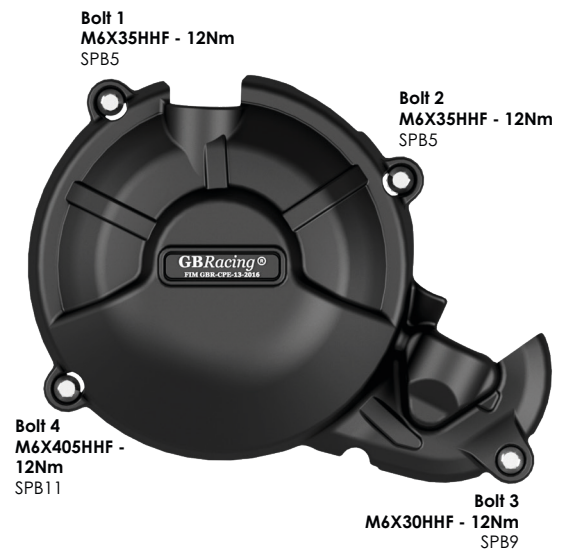
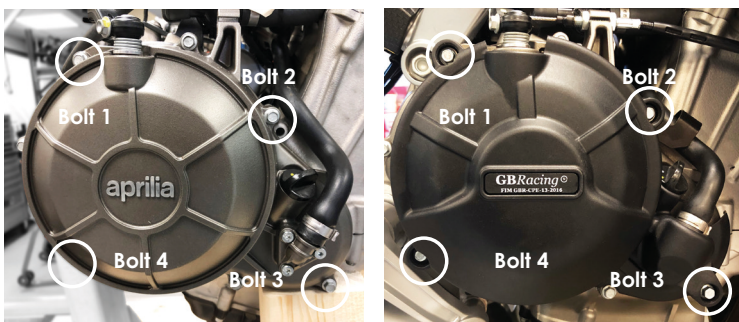
SECONDARY ALTERNATOR COVER
PART NO. EC-RS660-2021-1-GBR

- 1 Remove / loosen lower fairing or belly pan.
 - 2 Remove 4 existing bolts from the stock alternator cover, shown as position bolts 1, 2, 3 & 4.
 - 3 Place the secondary alternator cover over the stock cover.
 - 4 Assemble 4 replacement bolts loosely in the correct position as shown.
 - 5 Tighten bolts to a Torque of 12Nm as per Manufacturer's recommendations.
 - 6 Replace / tighten lower fairing or belly pan.
- DO NOT OVERTIGHTEN.



SECONDARY CLUTCH COVER
PART NO. EC-RS660-2021-2-GBR

- 1 Remove 4 existing bolts from the stock clutch cover, shown as position bolts 1, 2, 3 & 4.
 - 2 Place the secondary clutch cover over the stock cover.
 - 3 Assemble 4 replacement bolts loosely in the correct position as shown
 - 4 Tighten bolts to a Torque of 12Nm as per Manufacturer's recommendations.
- DO NOT OVERTIGHTEN.



FITMENT ON TUAREG 660 MODEL:

In order to fit the secondary clutch cover:

- 1 Remove the plastic chassis cover before fitting the clutch cover and reinstall after. **See FIG 1.**
- 2 Remove the top bolt of the exhaust guard to allow the guard to drop forward to allow fitment of the clutch cover. **See FIG 2.**

FIG 1: Plastic chassis cover

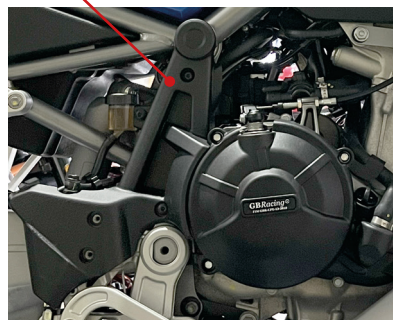


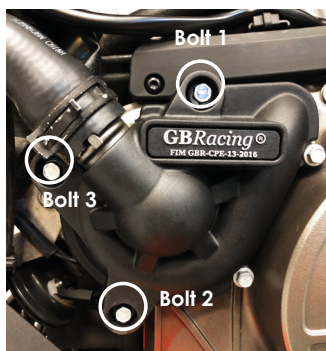
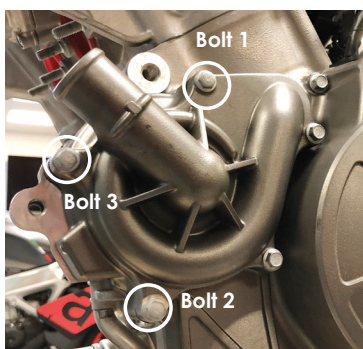
FIG 2:



**SECONDARY WATER PUMP COVER
PART NO. EC-RS660-2021-5-GBR**

Please Note: Only fit with a cold engine. Leave radiator cap on to reduce fluid loss – you will lose fluid.

- 1 Remove fairing.
- 2 Remove the 3 existing bolts from the stock water pump cover in this order: Bolt 1, 3 and then Bolt 2 – Bolt 2 last as this is the drain bolt.
- 3 Place the Secondary water pump cover over the stock cover.
- 4 Replace Bolt 2 first limiting fluid loss: Assemble the bolt loosely in the correct position as shown using the two supplied copper washers - see **Fig.1 for Bolt position 2**
- 5 Assemble the remaining two replacement Bolts 1 & 3 loosely in the correct position as shown
- 6 Tighten bolts to a Torque of 12Nm as per Manufacturer's recommendations.
DO NOT OVERTIGHTEN.
- 7 Replace fairing and check coolant level.

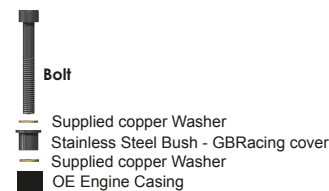


Bolt 1
M6X50HHF - 12Nm
SPB2

Bolt 3
M6X50HHF - 12Nm
SPB2

Bolt 2
M6X50HHF - 12Nm
SPB2
+ 2 supplied copper washers
(see Fig.1)

Fig. 1



PADDOCK STAND / BOBBIN SET - PART NO. BA12-6-GBR-SET

- 1 Assemble M6 x 40mm Bolt & M6 Washer fthrough the moulded bobbin.
- 2 Tighten bolts to swing arm boss, 8 Nm.
DO NOT OVERTIGHTEN



**LOWER CHAIN GUARD
PART NO. CGA09-GBR**

- 1 Assemble 2 off M6 x 20mm bolts and washers through the moulded lower chain guard into the Black Anodised aluminium mounting block CGA09-2.
- 2 Position the assembly underneath the swing arm, closing the gap to the rear sprocket. Note : There should be a 5mm minimum gap from the bike chain to the lower chain guard.
- 3 Mark the position of the Black Anodised block, relative to the swing arm.
- 4 Disassemble the assembly, leaving the block to be replaced into the correct position.
Mark the C/Sunk fixing hole positions on the underside of the swing arm.
- 5 Drill & Tap the marked holes , M6 - (Drill 5mm Dia. for tapping)
- 6 Re-assemble the lower chain guard to the fixed block.



BRAKE LEVER GUARD WITH 18mm INSERT (Fits tube inside diameters from 18mm to 20mm)
PART NO. BLG-M18-S10-A160-GBR

FITS TUONO 660 2021.
DOES NOT FIT RS 660 2021 or TUAREG 660

- 1 Remove existing bar end and replacing it with supplied bar end.
- 2 Tighten bolt until the lever protector is tight and does not move up or down under normal pressure.
- 3 Do not ride if you are unsure if it is tight enough and always get a trained technician to confirm.

