



1199 2012-2014

FITTING INSTRUCTIONS

TO BE FITTED BY A QUALIFIED TECHNICIAN



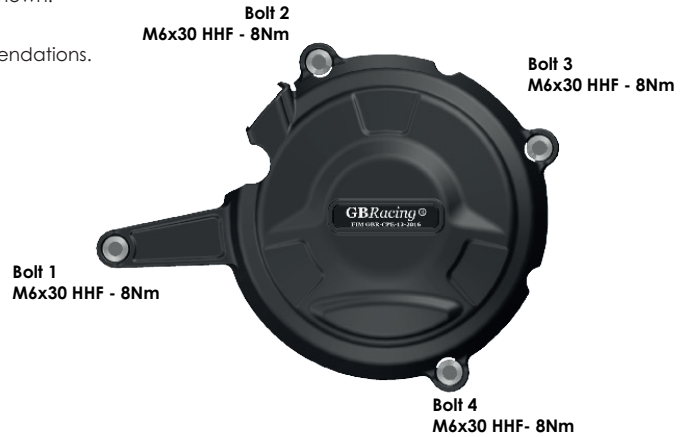
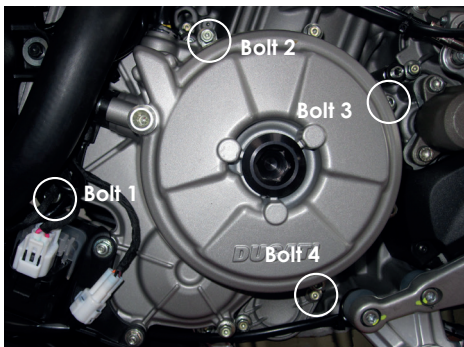
THIS SHEET INCLUDES FITTING INSTRUCTIONS FOR THE FOLLOWING PARTS:

Secondary Alternator Cover Part No. EC-1199-2012-1-GBR / Secondary Clutch Cover Part No. EC-1199-2012-2-GBR

SECONDARY ALTERNATOR COVER PART NO. EC-1199-2012-1-GBR

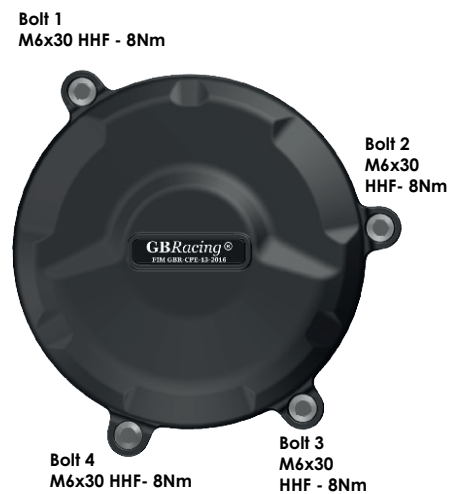
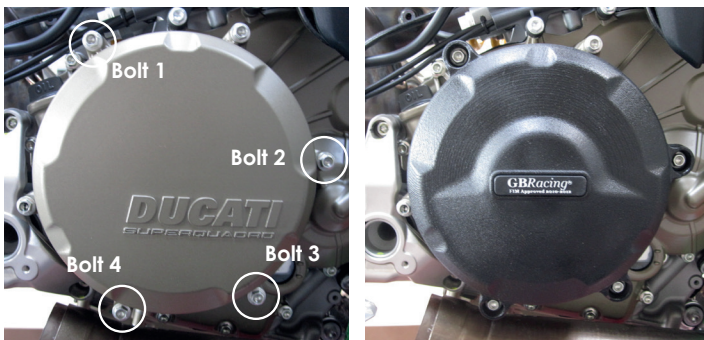
- 1 Remove left hand side fairing panel.
- 2 Remove 4 existing bolts from the Alternator cover, shown as position Bolt 1, 2, 3 & 4.
- 3 Place the Secondary Alternator Cover over the stock cover.
- 4 Assemble 4 replacement bolts loosely in the correct position as shown.
Note: Must use thread lock
- 5 Tighten bolts to a Torque of 8Nm as per manufacturer's recommendations.
DO NOT OVERTIGHTEN.
- 6 Replace left hand side fairing panel.

Please note: This DOES NOT fit models 959 2016-2019 & V2 2020.



SECONDARY CLUTCH COVER PART NO. EC-1199-2012-2-GBR

- 1 Remove right hand side fairing panel.
- 2 Remove 4 existing bolts from the Clutch cover, shown as position Bolt 1, 2, 3 & 4.
- 3 Place the Secondary Clutch Cover over the stock cover.
- 4 Assemble 4 replacement bolts loosely in the correct position as shown.
Note: Must use thread lock
- 5 Tighten bolts to a Torque of 8Nm as per manufacturer's recommendations.
DO NOT OVERTIGHTEN.
- 6 Replace right hand side fairing panel.



Engine Cover Set: EC-1199-2012-SET-GBR

EC-1199-2012-1-GBR, EC-1199-2012-2-GBR

www.GBRacing.eu

DO NOT use these products unless you agree to our Terms & Conditions, as shown on our paperwork and website. If you do not agree, please return the product(s) to your dealer for a refund.