

SUPERBIKE (KIT)



THIS SHEET INCLUDES FITTING INSTRUCTIONS FOR THE FOLLOWING PARTS:

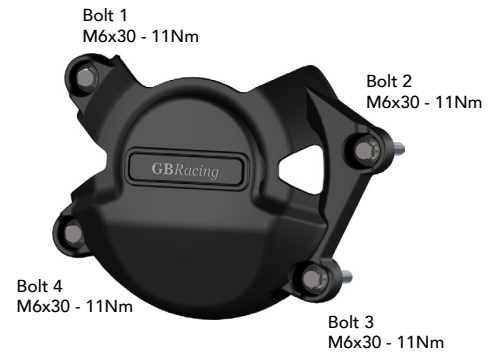
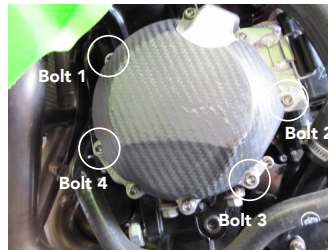
Secondary Alternator Cover Part No. EC-ZX10-2008-1-K-GBR / Secondary Clutch Cover Part No. EC-ZX10-2008-2-GBR /

Secondary Pulse Cover Part No. EC-ZX10-2008-3-K-GBR

Paddock Bobbin Set Part No. BA12-10-GBR-SET / Lower Chain Guard Part No. CGA09-GBR / Lower Chain Guard Part No. CGA29-GBR

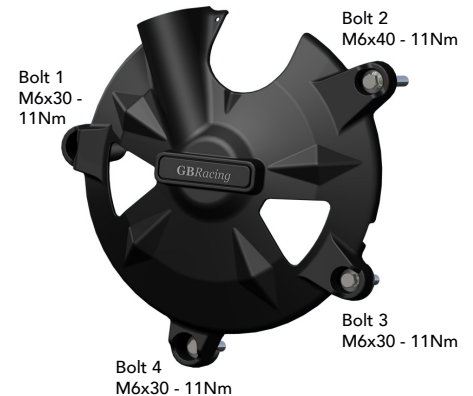
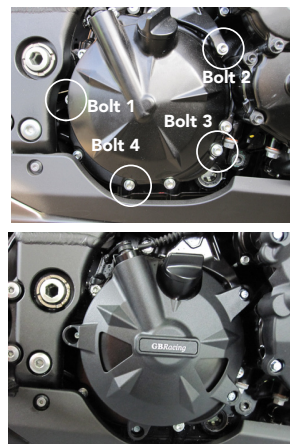
SECONDARY ALTERNATOR COVER
PART NO. EC-ZX10-2008-1-K-GBR

- 1 Remove lower fairing.
- 2 Remove 4 existing bolts from the stock Alternator cover, shown as position Bolt 1, 2, 3 & 4.
- 3 Place the Secondary Alternator Cover over the stock cover.
- 4 Assemble 4 replacement bolts loosely in the correct position as shown.
- 5 Tighten bolts to a Torque of 11Nm as per Manufacturer's recommendations.
DO NOT OVERTIGHTEN.
- 6 Re-Fit lower Fairing.



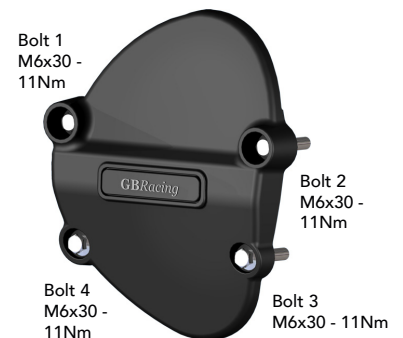
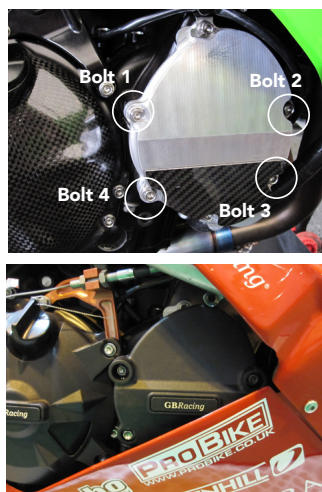
SECONDARY CLUTCH COVER
PART NO. EC-ZX10-2008-2-GBR

- 1 Remove 4 existing bolts from the stock clutch cover, shown as position Bolt 1, 2, 3 & 4.
- 2 Place the Secondary Clutch Cover over the stock cover.
- 3 Assemble replacement bolts 3 off M6x30 & 1 off M6x40 bolts, loosely in the correct position as shown.
- 4 Tighten bolts to a Torque of 11Nm as per Manufacturer's recommendations.
DO NOT OVERTIGHTEN.



SECONDARY PULSE COVER
PART NO. EC-ZX10-2008-3-K-GBR

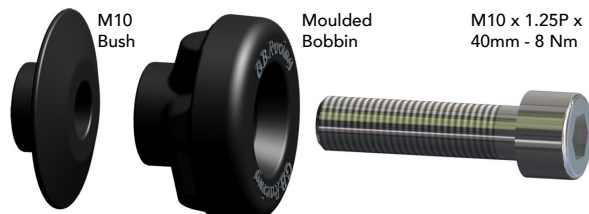
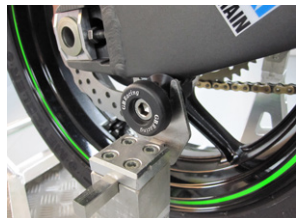
- 1 Remove 4 existing bolts from the stock pulse cover, shown as position Bolt 1, 2, 3 & 4.
- 2 Place the Secondary Pulse Cover over the stock cover.
- 3 Assemble 4 replacement M6x30 bolts, loosely in the correct position as shown.
- 4 Tighten bolts to a Torque of 11Nm as per Manufacturer's recommendations.
DO NOT OVERTIGHTEN.



SUPERBIKE (KIT)

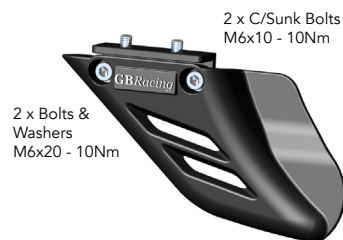
PADDOCK STAND / BOBBIN SET
PART NO. BA12-10-GBR-SET

- 1 Assemble the M10 Stainless Steel bolt through the moulded bobbin and the Black Anodised Bush.
- 2 Tighten bolts to the swing arm boss, 8 N/m.
DO NOT OVERTIGHTEN.



LOWER CHAIN GUARD
PART NO. CGA09-GBR

- 1 Assemble 2 off M6 x 20mm bolts and washers through the moulded lower chain guard into the Black Anodised aluminium mounting block CGA09-2.
- 2 Position the assembly underneath the swing arm, closing the gap to the rear sprocket.
Note : There should be a 5mm minimum gap from the bike chain to the lower chain guard.
- 3 Mark the position of the Black Anodised block, relative to the swing arm.
- 4 Disassemble the assembly, leaving the block to be replaced into the correct position.
Mark the C/Sunk fixing hole positions on the underside of the swing arm.
- 5 Drill & Tap the marked holes , M6 - (Drill 5mm Dia. for tapping)
- 6 Re-assemble the lower chain guard to the fixed block.



LOWER CHAIN GUARD
PART NO. CGA29-GBR

- 1 Assemble 2 bolts and washers through the lower chain guard into the Black Anodised aluminium mounting block CGA09-2.
- 2 Position the assembly underneath the swing arm, closing the gap to the rear sprocket.
Note : There should be a 5mm minimum gap from the bike chain to the lower chain guard.
- 3 Mark off the chosen hole positions.
- 4 Drill & Tap the marked holes , M6 - (Drill 5mm Dia. for tapping)
- 5 Disassemble the Black Anodised block from the assembly, and mount the block to the underside of the swing arm using the remaining 2 bolts and washers.
- 6 Re-assemble the lower chain guard to the fixed bracket.

2 x Bolts & Washers
M6x20 - 10Nm



SETS & BUNDLES

Protection Bundle: CP-ZX10-2008-CS-K-GBR

EC-ZX10-2008-1-K-GBR, EC-ZX10-2008-2-GBR, EC-ZX10-2008-3-K-GBR, CGA09-GBR, BA12-10-GBR-SET

Engine Cover Set: EC-ZX10-2008-SET-K-GBR

EC-ZX10-2008-1-K-GBR, EC-ZX10-2008-2-GBR, EC-ZX10-2008-3-K-GBR