

THIS SHEET INCLUDES FITTING INSTRUCTIONS FOR THE FOLLOWING PARTS:

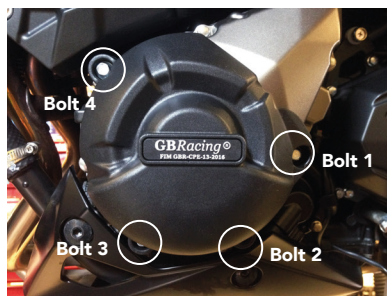
Secondary Alternator Cover Part No. EC-Z800-2013-1-GBR / Secondary Clutch Cover Part No. EC-Z800-2013-2-GBR /
Secondary Pulse Cover Part No. EC-Z800-2013-3-GBR



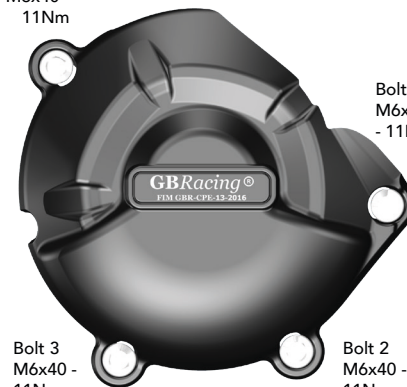
SECONDARY ALTERNATOR COVER
PART NO. EC-Z800-2013-1-GBR

For Stock Fairings

- 1 Remove 4 existing bolts from the stock Alternator cover, shown as position Bolt 1, 2, 3 & 4.
- 2 Place the Secondary Alternator Cover over the stock cover.
- 3 Assemble 4 replacement bolts loosely in the correct position as shown.
- 4 Tighten bolts to a Torque of 11Nm as per Manufacturer's recommendations.
DO NOT OVERTIGHTEN.



Bolt 4
M6x40 -
11Nm



Bolt 1
M6x40 -
11Nm

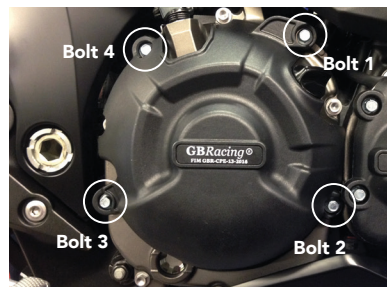
Bolt 3
M6x40 -
11Nm

Bolt 2
M6x40 -
11Nm

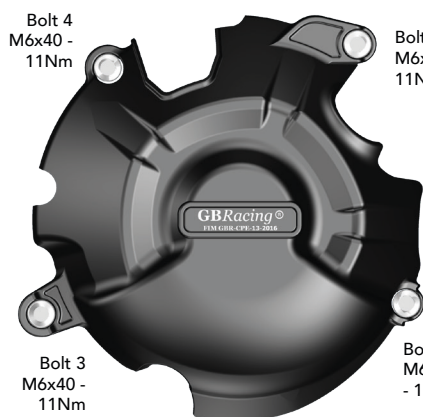
SECONDARY CLUTCH COVER
PART NO. EC-Z800-2013-2-GBR

For Stock Fairings

- 1 Remove 4 existing bolts from the Stock Clutch cover, shown as position Bolt 1, 2, 3 & 4.
- 2 Place the Secondary Clutch Cover over the stock cover.
- 3 Assemble 4 replacement bolts loosely in the correct position as shown.
- 4 Tighten bolts to a Torque of 11Nm as per Manufacturer's recommendations.
DO NOT OVERTIGHTEN.



Bolt 4
M6x40 -
11Nm



Bolt 1
M6x40 -
11Nm

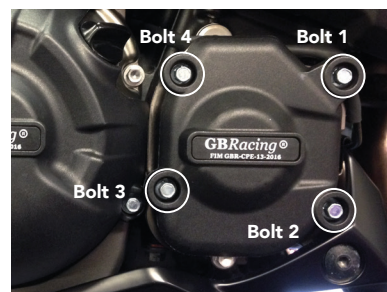
Bolt 3
M6x40 -
11Nm

Bolt 2
M6x40 -
11Nm

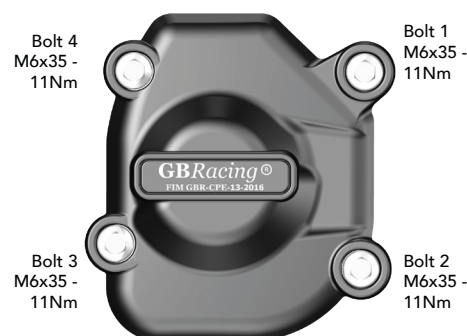
SECONDARY CLUTCH COVER
PART NO. EC-Z800-2013-3-GBR

For Stock Fairings

- 1 Remove 4 existing bolts from the Stock Pulse cover, shown as position Bolt 1, 2, 3 & 4.
- 2 Place the Secondary Pulse Cover over the stock cover. Take care to ensure that the cable guide bracket remains in place when securing the bolt at Bolt position 1.
- 3 Assemble 4 replacement bolts loosely in the correct position as shown.
- 4 Tighten bolts to a Torque of 11Nm as per Manufacturer's recommendations.
DO NOT OVERTIGHTEN.



Bolt 4
M6x35 -
11Nm



Bolt 1
M6x35 -
11Nm

Bolt 3
M6x35 -
11Nm

Bolt 2
M6x35 -
11Nm

www.GBRacing.eu

Engine Cover Set: EC-Z800-2013-SET-GBR

EC-Z800-2013-1-GBR - EC-Z800-2013-2-GBR - EC-Z800-2013-3-GBR