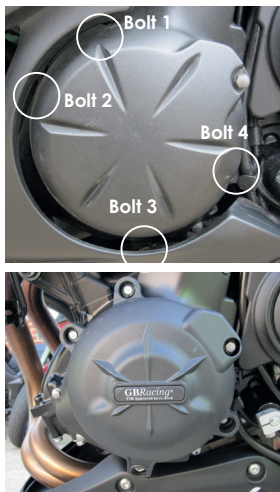


THIS SHEET INCLUDES FITTING INSTRUCTIONS FOR THE FOLLOWING PARTS:

Secondary Alternator Cover Part No. EC-ER6-2006-1-GBR / Secondary Clutch Cover Part No. EC-ER6-2006-2-GBR /  
Secondary Pulse Cover Part No. EC-ER6-2006-3-GBR /

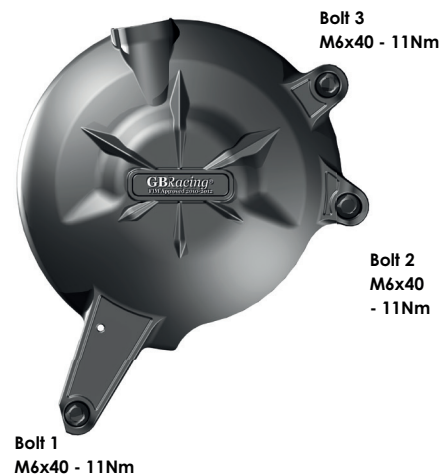
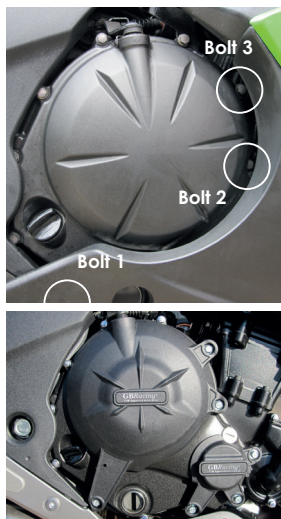
**SECONDARY ALTERNATOR COVER**  
**PART NO. EC-ER6-2006-1-GBR**

- 1 Remove lower fairing.
- 2 Remove 4 existing bolts from the Alternator cover, shown as position Bolt 1, 2, 3 & 4. Note cable bracket at position 4.
- 3 Place the Secondary Clutch Cover over the stock cover.
- 4 Assemble 4 replacement bolts loosely in the correct position as shown. *Note: Must use thread lock.* Bolt 3 is M6 X 50HHF. Ensure that the cable bracket is aligned correctly at position 4.
- 5 Tighten bolts to a Torque of 11Nm as per Manufacturer's recommendations.  
DO NOT OVERTIGHTEN.



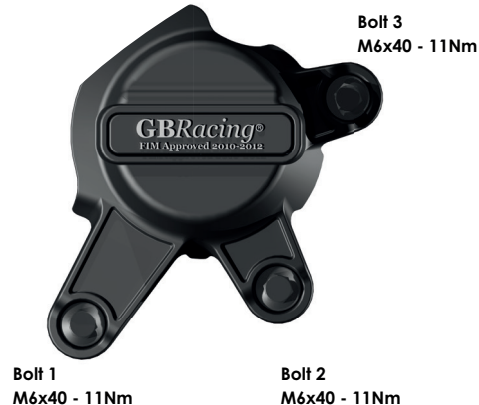
**SECONDARY CLUTCH COVER**  
**PART NO. EC-ER6-2006-2-GBR**

- 1 Remove lower fairing.
- 2 Remove 3 existing bolts from the Clutch cover, shown as position Bolt 1, 2 & 3.
- 3 Place the Secondary Clutch Cover over the stock cover.
- 4 Assemble 3 replacement bolts loosely in the correct position as shown.  
**Note: Must use thread lock**
- 5 Tighten bolts to a Torque of 11Nm as per Manufacturer's recommendations.  
DO NOT OVERTIGHTEN.



**SECONDARY PULSE COVER**  
**PART NO. EC-ER6-2006-3-GBR**

- 1 Remove lower fairing.
- 2 Remove 3 existing bolts from the Pulse cover, shown as position Bolt 1, 2 & 3.
- 3 Place the Secondary Pulse Cover over the stock cover.
- 4 Assemble 3 replacement bolts loosely in the correct position as shown.  
**Note: Must use thread lock**
- 5 Tighten bolts to a Torque of 11Nm as per Manufacturer's recommendations.  
DO NOT OVERTIGHTEN.



**Protection Bundle: CP-ER6-2006-CS-GBR**  
EC-ER6-2006-1-GBR, EC-ER6-2006-2-GBR, EC-ER6-2006-3-GBR, CGA09-GBR, BA12-10-GBR-SET

**Engine Cover Set: EC-ER6-2006-SET-GBR**  
EC-ER6-2006-1-GBR, EC-ER6-2006-2-GBR, EC-ER6-2006-3-GBR

[www.GBRacing.eu](http://www.GBRacing.eu)