



1199 2012-2014

# FITTING INSTRUCTIONS

TO BE FITTED BY A QUALIFIED TECHNICIAN

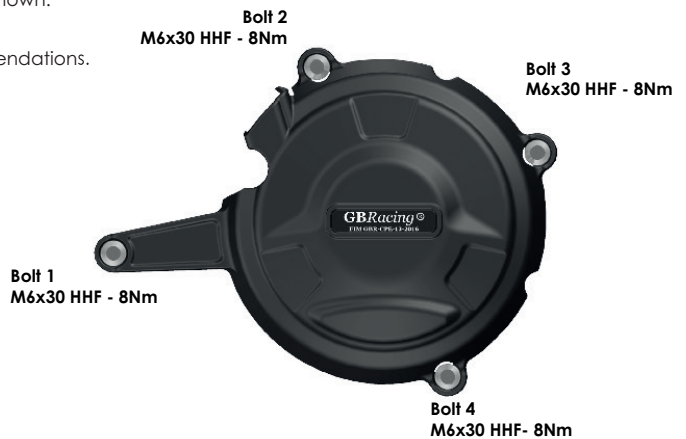
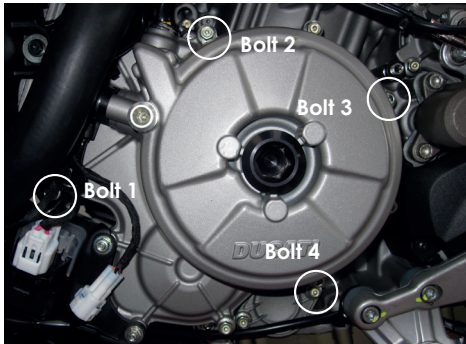


THIS SHEET INCLUDES FITTING INSTRUCTIONS FOR THE FOLLOWING PARTS:

Secondary Alternator Cover Part No. EC-1199-2012-1-GBR / Secondary Clutch Cover Part No. EC-1199-2012-2-GBR

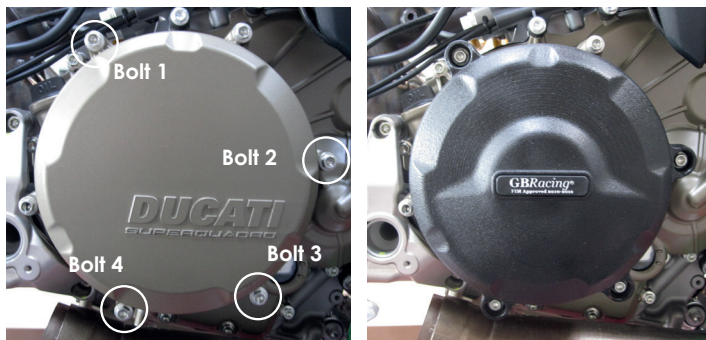
## SECONDARY ALTERNATOR COVER PART NO. EC-1199-2012-1-GBR

- 1 Remove left hand side fairing panel.
- 2 Remove 4 existing bolts from the Alternator cover, shown as position Bolt 1, 2, 3 & 4.
- 3 Place the Secondary Alternator Cover over the stock cover.
- 4 Assemble 4 replacement bolts loosely in the correct position as shown.  
*Note: Must use thread lock*
- 5 Tighten bolts to a Torque of 8Nm as per manufacturer's recommendations.  
DO NOT OVERTIGHTEN.
- 6 Replace left hand side fairing panel.

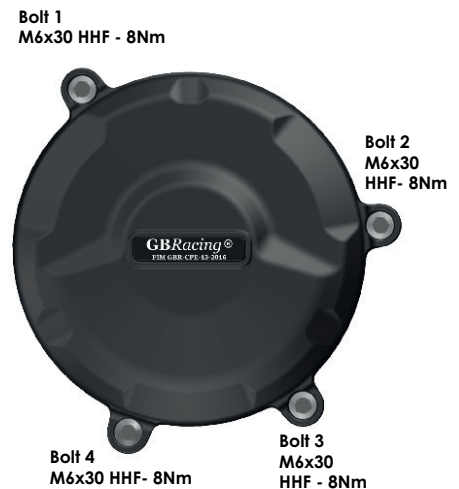


## SECONDARY CLUTCH COVER PART NO. EC-1199-2012-2-GBR

- 1 Remove right hand side fairing panel.
- 2 Remove 4 existing bolts from the Clutch cover, shown as position Bolt 1, 2, 3 & 4.
- 3 Place the Secondary Clutch Cover over the stock cover.
- 4 Assemble 4 replacement bolts loosely in the correct position as shown.  
*Note: Must use thread lock*
- 5 Tighten bolts to a Torque of 8Nm as per manufacturer's recommendations.  
DO NOT OVERTIGHTEN.
- 6 Replace right hand side fairing panel.



**Please note:** For models 959 2016-2019 & V2 2020, the fairing will need modification and dust cover removing.



Engine Cover Set: EC-1199-2012-SET-GBR  
EC-1199-2012-1-GBR, EC-1199-2012-2-GBR

[www.GBRacing.eu](http://www.GBRacing.eu)