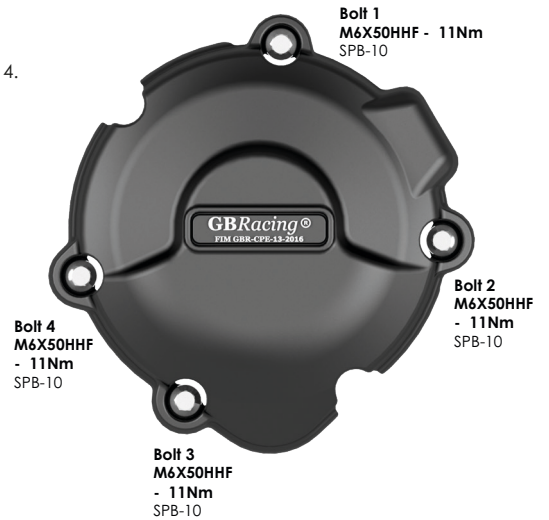
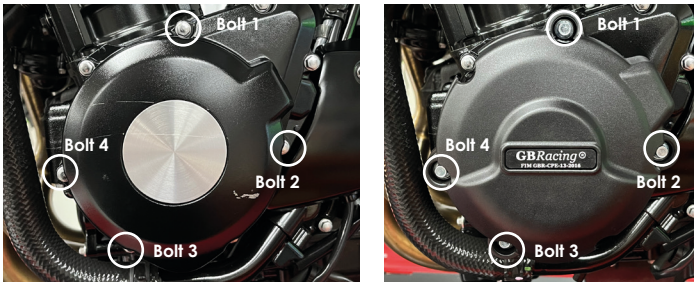


THIS SHEET INCLUDES FITTING INSTRUCTIONS FOR THE FOLLOWING PARTS:

Secondary Alternator Cover Part No. EC-Z900RS-2018-1-GBR / Secondary Clutch Cover Part No. EC-Z900RS-2018-2-GBR /
Secondary Pulse Cover Part No. EC-Z900RS-2018-3-GBR / Bullet Frame Slider Set STREET Part No. FS-Z900-2017-S

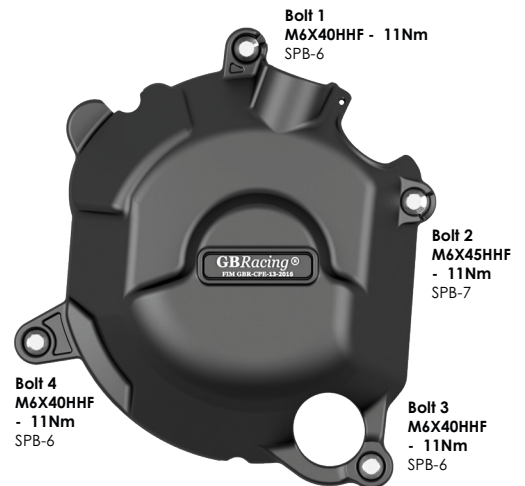
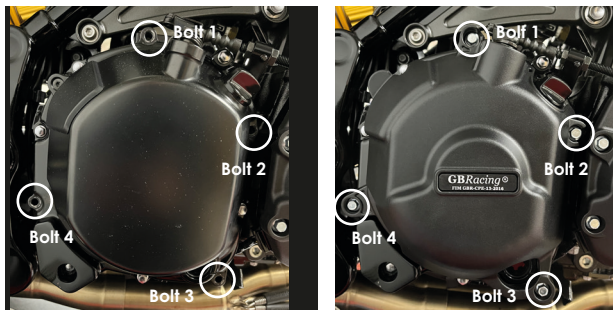
SECONDARY ALTERNATOR COVER – PART NO. EC-Z900RS-2018-1-GBR

- 1 Remove 4 existing bolts from the stock alternator cover, shown as position Bolt 1, 2, 3 & 4.
- 2 Place the secondary alternator cover over the stock cover.
- 3 Assemble 4 replacement M6X50HHF bolts loosely in the correct position as shown.
- 4 Tighten bolts to a torque of 11Nm as per Manufacturer's recommendations. DO NOT OVERTIGHTEN.



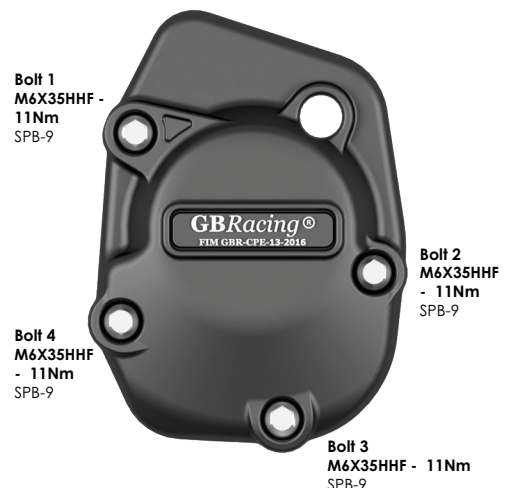
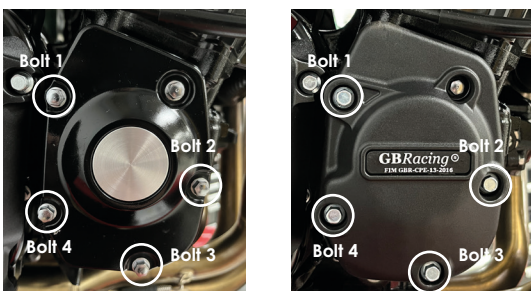
SECONDARY CLUTCH COVER – PART NO. EC-Z900RS-2018-2-GBR

- 1 Remove 4 existing bolts from the stock clutch cover, shown as position Bolt 1, 2, 3 & 4.
- 2 Place the secondary clutch cover over the stock cover.
- 3 Assemble 4 replacement bolts loosely in the correct position as shown.
- 4 Tighten bolts to a torque of 11Nm as per Manufacturer's recommendations. DO NOT OVERTIGHTEN.



SECONDARY CLUTCH COVER – PART NO. EC-Z900RS-2018-3-GBR

- 1 Remove 4 existing bolts from the stock pulse cover, shown as position Bolt 1, 2, 3 & 4.
- 2 Place the secondary pulse cover over the stock cover.
- 3 Assemble 4 replacement M6X35HHF bolts loosely in the correct position as shown.
- 4 Tighten bolts to a torque of 11Nm as per Manufacturer's recommendations. DO NOT OVERTIGHTEN.



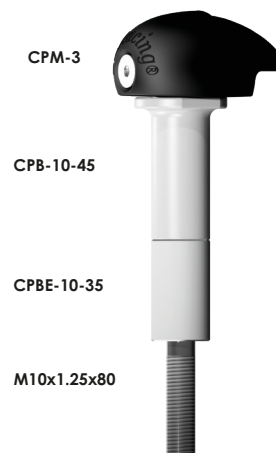
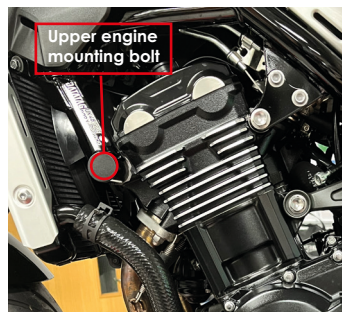
Bullet Frame Slider SET - STREET - Part No.: FS-Z900-2017-S:

BULLET FRAME SLIDER - LEFT HAND SIDE - STREET
PART NO. FS-Z900-2017-LHS-S

- 1 Remove upper engine mounting bolt - see location at **Fig. 1**
- 2 Assemble bolt through the aluminium bush adding CPBE-10-35 and place into correct position.
- 3 Tighten to 48Nm torque.
- 4 Slide bullet moulding onto aluminium bush.
- 5 Screw M6 bolt into front of bullet moulding hand tight.



Fig. 1



BULLET FRAME SLIDER - RIGHT HAND SIDE - STREET
PART NO. FS-Z900-2017-RHS-S

- 1 Remove upper engine mounting bolt - see location at **Fig. 1**
- 2 Assemble bolt through the aluminium bush adding CPBE-10-35 and place into correct position.
- 3 Tighten to 48Nm torque.
- 4 Slide bullet moulding onto aluminium bush.
- 5 Screw M6 bolt into front of bullet moulding hand tight.



Fig. 1

