

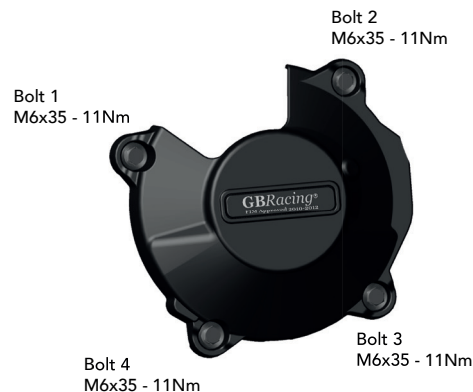
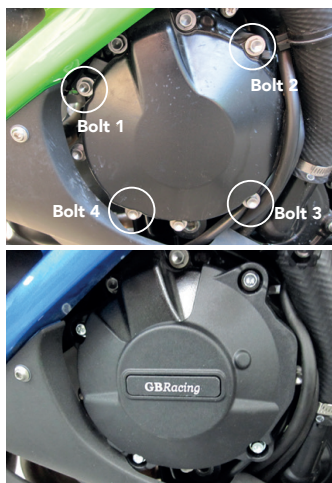
THIS SHEET INCLUDES FITTING INSTRUCTIONS FOR THE FOLLOWING PARTS:

Secondary Alternator Cover Part No. EC-ZX6-2009-1-GBR / Secondary Clutch Cover Part No. EC-ZX6-2009-2-GBR /

Secondary Pulse Cover Part No. EC-ZX6-2007-3-GBR /

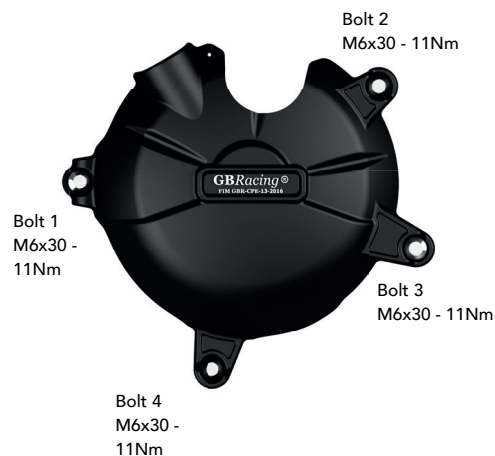
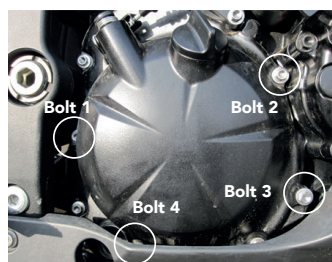
SECONDARY ALTERNATOR COVER
PART NO. EC-ZX6-2009-1-GBR

- 1 Remove lower fairing.
- 2 Remove 4 existing bolts from the stock Alternator cover, shown as position Bolt 1, 2, 3 & 4.
- 3 Place the Secondary Alternator Cover over the stock cover.
- 4 Assemble 4 replacement bolts loosely in the correct position as shown.
- 5 Tighten bolts to a Torque of 11Nm as per manufacturers recommendations. **DO NOT OVERTIGHTEN.**
- 6 Re-Fit lower Fairing.



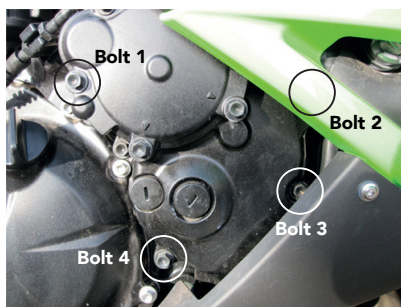
SECONDARY CLUTCH COVER
PART NO. EC-ZX6-2009-2-GBR

- 1 Remove lower fairing.
- 2 Remove 4 existing bolts from the stock clutch cover, shown as position Bolt 1, 2, 3 & 4.
- 3 Place the Secondary Clutch Cover over the stock cover.
- 4 Assemble 4 replacement M6x30 bolts, loosely in the correct position as shown.
- 5 Tighten bolts to a Torque of 11Nm as per manufacturers recommendations. **DO NOT OVERTIGHTEN.**
- 6 Re-Fit lower Fairing.



SECONDARY PULSE COVER
PART NO. EC-ZX6-2007-3-GBR

- 1 Remove the Upper and Lower Fairings.
- 2 Remove 4 existing bolts from the stock pulse cover, shown as position Bolt 1, 2, 3 & 4.
- 3 Place the Secondary Pulse Cover over the stock cover.
- 4 Assemble 2 replacement M6x35, 1 replacement M6x25 & 1 replacement M6x45 bolts, loosely in the correct position as shown.
- 5 Tighten bolts to a Torque of 11Nm as per Manufacturer's recommendations. **DO NOT OVERTIGHTEN.**
- 6 Re-Fit the Fairings.



Protection Bundle: CP-ZX6-2007-CS-GBR

EC-ZX6-2009-1-GBR, EC-ZX6-2009-2-GBR, EC-ZX6-2007-3-GBR, CGA09-GBR, BA12-10-GBR-SET

Engine Cover Set: EC-ZX6-2007-SET-GBR

EC-ZX6-2009-1-GBR, EC-ZX6-2009-2-GBR, EC-ZX6-2007-3-GBR